

# auto electrical parts

## Technical Information Sheet

### Part No. 0-376-range

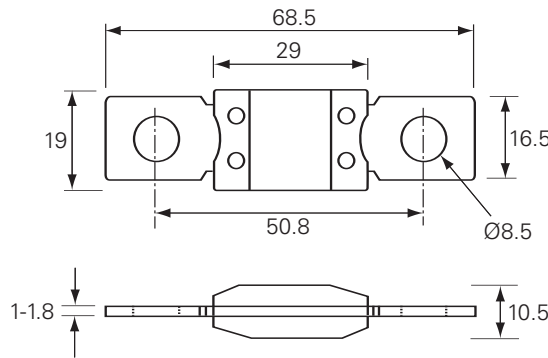
MEGA fuse types.



#### Additional Information

part no.	current rating	colour
0-376-10	100 amp	yellow
0-376-12	125 amp	green
0-376-15	150 amp	tan
0-376-17	175 amp	white
0-376-20	200 amp	blue
0-376-22	225 amp	beige
0-376-25	250 amp	pink
0-376-30	300 amp	grey
0-376-35	350 amp	d/green
0-376-40	400 amp	purple
0-376-45	450 amp	orange
0-376-55	500 amp	brown

#### Technical Drawing (not to scale)



#### Specification

Type	MEGA fuse
Voltage	32 volt dc
Voltage drop	< 92mV
Interrupting rating	2000 amp at 32 volt dc
Current rating	100 to 500 amp
Body material	Plastic
Termination	Copper
Temperature	-40° to 125°C (current rating decreases with increase temperature to 92% @ 120°C)
Weight	15 - 20g

#### Time-Current characteristics:

% of rating	Opening time min/max	
	100-250 amp	300 to 500 amp
75	- / -	4hrs / -
100	4hrs / -	- / -
135	120s / 1800s	- / 15s
200	1s / 15s	1s / -
350	300ms / 5s	300ms / 5s

The information contained in this document is correct to the best of our knowledge at the time of printing. However, specifications may change at any time without notice.

#### Gordon Equipments Limited

Durite Works  
Valley Road  
Dovercourt  
Essex CO12 4RX  
England



Tel: +44 (0)1255 555200  
Fax: +44 (0)1255 555222  
E-mail: sales@durite.co.uk  
Web: www.durite.co.uk

Registered in England at address shown No. 373113  
The words 'Gordon', 'Durite', 'Nolten' and 'Acfil' are registered trade marks